

Robex Equipped with EU Stage IIIB Engine

55-9A
60CR-9A

80CR-9A

MOVING YOU FURTHER

HYUNDAI HEAVY INDUSTRIES



 **HYUNDAI**

PRIDE AT WORK

Hyundai Heavy Industries strives to build state-of-the-art earthmoving equipment to give every operator maximum performance, optimal controllability, versatile machine settings and proven technology.

Be proud of your work with Hyundai!

Robex **55-9A**
60CR-9A
80CR-9A



*Photo may include optional equipment.

Machine Walk-Around

Engine Technology

The fuel efficient, Tier 4 final certified Yanmar 4TNV98 engine provides proven, reliable power. This engine is electronically controlled for optimum fuel to air ratio and clean, efficient combustion and provides low noise, anti-restart features.

Efficient Control System

All control devices are arranged for higher productivity and improved operator comfort. Efficient and ergonomic controls allow an operator to control the machine in any working environment.

A safety lever on the left-side console is provided to prevent exiting the cabin while hydraulic controls are live.

Advanced Hydraulic System

The advanced hydraulic system includes an arm flow summation system, boom holding system and a swing parking brake for smooth and fine control. Other valuable features include a hydraulic damper in the travel pedal, and a hydraulically lubricated swing reducer with a leak-free grease chamber.

Comfortable and Durable Cabin

The cabin is roomy and ergonomically designed, for reduced noise and good visibility. The cabin frame meets international standard TOPS, ROPS, FOPS ensuring operator safety.

Operator Convenience

Convenient operator features include a suspension seat, excellent visibility, and variable storage space for advanced operator comfort. The newly designed LED cluster provides current information, including engine RPM, engine coolant, fuel level, and electric components.

A hydraulic function safety lock and auto diagnostic features are also available. lock and failure diagnosis functions are also integrated.

A powerful air conditioning system and Radio & USB player contribute to a productive work environment.

Easy and Simple Maintenance

Wide open access of doors, covers, hoods is designed for easier maintenance. The air cleaner and centralized grease fittings are also integrated for easy service.

Extended Life of Components

Long life components and wear parts, including hydraulic filters, oil, shims and bushings, help to reduce operating costs.

PREFERENCE

An operator, who sets his machine to his needs, takes pleasure in his work. Operators can fully customize their work environment and operating preferences to fit their individual needs.

55-9A
60CR-9A
80CR-9A

Robex

Operator Comfort

In the cabin of the 9A series you can experience the highest level of comfort. The ergonomic location of joysticks with arm rests, suspension seat, control levers and LED-display minimizes fatigue of the operator. The LED-display shows all information of the machine with a blink of an eye.

1. A large top glass combined with a roll-up sun visor offers high visibility.
2. An advanced audio system with radio / MP3-player with USB-input, combined with a remote control is installed to listen to your preferred music favorites.
3. Operators are able to call while operating with the hands-free mobile phone feature.
4. Ergonomically designed joysticks reduce operator fatigue.
5. Cabin provides various storage compartments for operator's convenience.



Stressless

Work is stressful enough; your working environment should be stressless. Hyundai's 9A compact excavator provides many convenient devices for safe and productive work.

1. The window locking device keeps the right window in the preferred position.
2. The sliding front window is easy to open and can be locked safely in open position to improve ventilation and visibility.
3. The tiltable left-side console box offers easy access to the cabin.
4. The powerful temperature control provides the operator with the preferred air temperature.



*Photo may include optional equipment.



Spacious Cabin with Excellent Visibility

The newly designed cabin was conceived for more space, a wider field of view and operator comfort. Special attention was given to a clear, open and convenient interior with plenty of visibility on the machine surroundings and the job at hand. This well balanced combination of precision aspects put the operator in the perfect position to work safely and securely.



Easy-to-use Cluster

The advanced LED-cluster allows the operator to select his personal machine preferences. The monitor displays engine rpm, engine temperature and state of electronic devices. The operator can select auto deceleration mode and max power mode and he can control travel speed with the touch of a button. An engine starting lock prevents theft of the machine.

PERFORMANCE

9A Series deliver fast precision by combining smoother hydraulics with wider view and less stress. Innovative hydraulic system technologies make the excavator fast, smooth and easy to control.



*Photo may include optional equipment.

55-9A
60CR-9A
80CR-9A
Robex

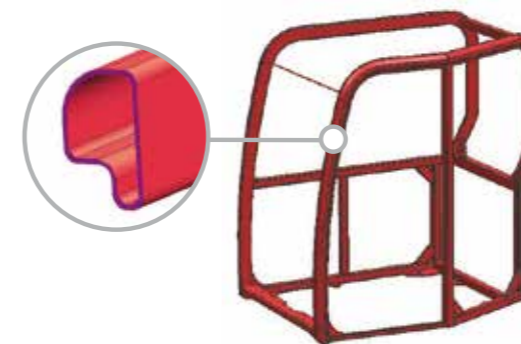


Offset Boom

The 9A Series boom offset function is designed for efficient work in congested residential and urban areas. Increased swing torque provides better operating capability on a slope.

Improved Hydraulic System

To achieve optimum precision, Hyundai redesigned the hydraulic system to provide the operator with super fine touch and high controllability. Improved pump flow control reduces hydraulic flow when controls are not activated to minimize fuel consumption. Improved hydraulic valves, precise variable volume piston pumps and fine-touch pilot controls make any operator of our 9A series look like a smooth operator.



Structural Strength

The 9A Series cabin structure is designed with slimmer but stronger tubing for more safety and better visibility. Low-stress and high strength steel is welded to form a strong and stable lower frame. Structural durability is analyzed and tested by FEM-analysis (Finite Elements Method) and long-term durability tests.



High Performance on Narrow Jobsites

The 9A Series reduced tail swing radius allows the operator to work with less worries on narrow jobsites such as road building or urban areas. The Compact radius design provides efficient operation with limited space.



Yanmar 4TNV98

Yanmar 4TNV98 engine provides a nominal power
 R55-9A : 66.9 HP (49.9 kW) / 2,400 rpm
 R60CR-9A : 64.7 HP (48.3 kW) / 2,200 rpm
 R80CR-9A : 66.9 HP (49.9 kW) / 2,400 rpm
 This means the 9A Series runs with the most power in its class, giving you more power to get the job done.

PROFITABILITY

9A series machines are designed to maximize profitability through improved fuel efficiency, enhanced service features and long-lasting components.

Robex **55-9A**
60CR-9A
80CR-9A



*Photo may include optional equipment.

Fuel Efficient

9A series compact excavators are engineered to be very fuel efficient.



Easy Maintenance

Centralized grease fittings and easy to change air filter provide faster and easier maintenance.

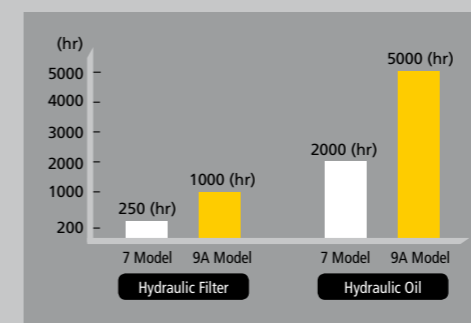


Improved Durability

A cover of the dozer cylinder provides extra protection in tough working conditions.

Large Engine hood

9A series compact excavator are offering easy access to the engine compartment with a large engine hood.



Extended Life of Components

By adopting long-life hydraulic filters (1000 hrs) and long-life hydraulic oil (5000 hrs) operation costs are reduced. Extended lubricant bush life & ultra high molecular weight polymer shim, more efficient cooling systems and integrated preheating systems are extending service intervals and reducing machine down time.

SPECIFICATIONS

Robex 55-9A

Robex 55-9A

ENGINE

MODEL		YANMAR 4TNV98C	
Type		Water cooled, 4 cycle Diesel, 4-Cylinders in line, direct injection and low emission	
Rated flywheel horse power	SAE	J1995 (gross)	66.9 HP (49.9 kW) / 2,400 rpm
		J1349 (net)	65.1 HP (48.5 kW) / 2,400 rpm
	DIN	6271/1 (gross)	66.9 PS (49.9 kW) / 2,400 rpm
		6271/1 (net)	65.1 PS (48.5 kW) / 2,400 rpm
Max. torque		24 kgf.m (174 lbf.ft) / 1,560 rpm	
Bore x stroke		98 mm (3.86") x 110 mm (4.33")	
Piston displacement		3,319 cc (203 cu in)	
Batteries		1 x 12V x 100 Ah	
Starting motor		12V - 3.0 kW	
Alternator		12V - 80 A	

HYDRAULIC SYSTEM

MAIN PUMP	
Type	Two variable displacement axial piston pumps
Max. flow	2 x 62.5 l/min pumps
Sub-pump for pilot circuit	Gear pump
Cross-sensing and fuel saving pump system	
HYDRAULIC MOTORS	
Travel	Two speed axial piston motor with counter balance valve and parking brake
Swing	Axial piston motor with automatic brake

RELIEF VALVE SETTING	
Implement circuits	220 kgf/cm ² (3,130 psi)
Travel	220 kgf/cm ² (3,130 psi)
Swing circuit	220 kgf/cm ² (3,130 psi)
Pilot circuit	30 kgf/cm ² (430 psi)
Service valve	Installed

HYDRAULIC CYLINDERS	
No. of cylinder-bore x stroke	Boom: 1-110 x 715 mm (4.3" x 28.1")
	Arm: 1-90 x 850 mm (3.5" x 33.5")
	Bucket: 1-80 x 660 mm (3.1" x 26.0")
	Boom swing: 1-95 x 535 mm (3.7" x 21.1")
	Dozer blade: 1-110 x 219 mm (4.3" x 8.6")

DRIVES & BRAKES

Drive method	Fully hydrostatic type
Drive motor	Axial piston motor, in-shoe design
Reduction system	Planetary reduction gear
Max. drawbar pull	5,300 kgf (11,700 lbf)
Max. travel speed (high) / (low)	4.1 km/hr (2.5 mph) / 2.1 km/hr (1.3 mph)
Gradeability	35° (70 %)
Parking brake	Multi wet disc

CONTROL

Pilot pressure operated joysticks and pedals with detachable lever provide almost effortless and fatigueless operation.

Pilot control	Two joysticks with one safety lever (LH): Swing and arm (RH): Boom and bucket (ISO)
Traveling and steering	Two levers with pedals
Engine throttle	Electric, Dial type

SWING SYSTEM

Swing motor	Fixed displacement axial pistons motor
Swing reduction	Planetary gear reduction
Swing bearing lubrication	Grease-bathed
Swing brake	Multi wet disc
Swing speed	9.1 rpm

COOLANT & LUBRICANT CAPACITY

Refilling	liter	US gal	UK gal
Fuel tank	120.0	31.7	26.4
Engine coolant	9.5	2.5	2.1
Engine oil	11.6	3.1	2.6
Swing device	1.5	0.4	0.3
Final drive (each)	1.2	0.3	0.3
Hydraulic system	120.0	31.7	26.4
Hydraulic tank	70.0	18.5	15.4

UNDERCARRIAGE

The X-leg type center frame is integrally welded with reinforced box-section track frames. The undercarriage includes lubricated rollers, idlers, track adjusters with shock absorbing springs and sprockets, and a track chain with double or triple grouser shoes.

Center frame	X - leg type
Track frame	Pentagonal box type
No. of shoes on each side	40
No. of upper roller on each side	1
No. of lower roller on each side	5

OPERATING WEIGHT (APPROXIMATE)

Operating weight, including 3,000 mm (9' 10") boom, 1,600 mm (5' 3") arm, SAE heaped 0.18 m³ (0.24 yd³) bucket, lubricant, coolant, full fuel tank, full hydraulic tank and all standard equipments.

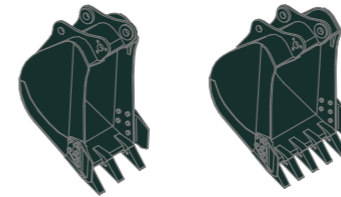
MAJOR COMPONENT WEIGHT	
Upperstructure	2,710 kg (5,970 lb)
Mono boom (with arm cylinder)	310 kg (680 lb)

OPERATING WEIGHT	
Operating weight	5,650 kg (12,460 lb)

* Mono boom with blade

BUCKETS R55-9A

Capacity m ³ (yd ³)		Width mm (in)		Weight kg (lb)
		Without side cutters	With side cutters	
SAE heaped	CECE heaped	315 mm (12.4")	360 mm (14.2")	115 kg (255 lb)
0.07 m ³ (0.09 yd ³)	0.06 m ³ (0.08 yd ³)	670 mm (26.4")	740 mm (29.1")	170 kg (375 lb)
0.18 m ³ (0.24 yd ³)	0.15 m ³ (0.20 yd ³)			



SAE heaped m³ (yd³)

0.07 m³ (0.09 yd³)

0.18 m³ (0.24 yd³)

DIGGING FORCE R55-9A

Arm	Length	1,600 mm (5' 3")	1,900 mm (6' 3")
	Weight	210 kg (460 lb)	230 kg (510 lb)
Bucket digging force	SAE	37.7 kN	37.7 kN
		3,850 kgf	3,850 kgf
	ISO	8,490 lbf	8,490 lbf
		42.4 kN	42.4 kN
Arm crowd force	SAE	4,330 kgf	4,330 kgf
		9,550 lbf	9,550 lbf
	ISO	28.4 kN	25.5 kN
		2,900 kgf	2,600 kgf
ISO	6,390 lbf	5,730 lbf	
	31.9 kN	28.7 kN	
ISO	3,260 kgf	2,930 kgf	
	7,190 lbf	6,460 lbf	

Arm weight includes cylinder and linkage.

Lifting Capacities

R55-9A

Rating over-front Rating over-side or 360 degrees

Boom : 3.0 m (9' 10") / Arm : 1.6 m (5' 3") / Bucket : 0.18 m ³ (0.24 yd ³) SAE heaped / Dozer blade down											
Load point height m (ft)		Load radius								At max. reach	
		2.0 m (7 ft)		3.0 m (10 ft)		4.0 m (13 ft)		5.0 m (16 ft)		Capacity	Reach
5.0 m (16 ft)	kg									*950	*950
	lb									*2090	*2090
4.0 m (13 ft)	kg					*1020	*1020			*980	780
	lb					*2250	*2250			*2160	1720
3.0 m (10 ft)	kg					*1090	*1090			*1010	650
	lb					*2400	*2400			*2230	1430
2.0 m (7 ft)	kg	*3050	*3050	*1690	*1690	*1320	1100	*1170	760	*1050	590
	lb	*6720	*6720	*3730	*3730	*2910	2430	*2580	1680	*2310	1300
1.0 m (3 ft)	kg			*2360	1610	*1600	1040	*1280	740	*1100	580
	lb			*5200	3550	*3530	2290	*2820	1630	*2430	1280
Ground Line	kg	*2350	*2350	*2700	1540	*1790	1000	*1350	720	*1140	610
	lb	*5180	*5180	*5950	3400	*3950	2200	*2980	1590	*2510	1340
-1.0 m (-3 ft)	kg	*3600	3020	*2670	1530	*1800	990			*1180	700
	lb	*7940	6660	*5890	3370	*3970	2180			*2600	1540
-2.0 m (-7 ft)	kg	*3770	3060	*2300	1540					*1140	960
	lb	*8310	6750	*5070	3400					*2510	2120
-3.0 m (-10 ft)	kg	*2040	*2040								
	lb	*4500	*4500								

- Lifting capacity is based on SAE J1097, ISO 10567.
- Lifting capacity of the Robex Series does not exceed 75% of the tipping load with the machine on firm, level ground or 87% of full hydraulic capacity.
- The load point is a hook located on the back of the bucket.
- (*) indicates the load limited by hydraulic capacity.

R55-9A

Rating over-front Rating over-side or 360 degrees

Boom : 3.0 m (9' 10") / Arm : 1.6 m (5' 3") / Bucket : 0.18 m³ (0.24 yd³) SAE heaped / Dozer blade up

Load point height m (ft)		Load radius								At max. reach		
		2.0 m (7 ft)		3.0 m (10 ft)		4.0 m (13 ft)		5.0 m (16 ft)		Capacity		Reach m (ft)
5.0 m (16 ft)	kg lb									*950 *2090	*950 *2090	4.12 (13.5)
4.0 m (13 ft)	kg lb					*1020 *2250	*1020 *2250			*980 *2160	740 1630	5.08 (16.7)
3.0 m (10 ft)	kg lb					*1090 *2400	1080 2380			890 1960	610 1340	5.60 (18.4)
2.0 m (7 ft)	kg lb	*3050 *6720	*3050 *6720	*1690 *3730	1630 3590	*1320 *2910	1030 2270	1040 2290	710 1570	810 1790	550 1210	5.84 (19.2)
1.0 m (3 ft)	kg lb			2250 4960	1510 3330	1430 3150	980 2160	1010 2230	690 1520	800 1760	540 1190	5.85 (19.2)
Ground Line	kg lb	*2350 *5180	*2350 *5180	2170 4780	1440 3170	1390 3060	940 2070	990 2180	670 1480	840 1850	570 1260	5.63 (18.5)
-1.0 m (-3 ft)	kg lb	*3600 *7940	2780 6130	2150 4740	1420 3130	1370 3020	930 2050			970 *2140	660 1460	5.13 (16.8)
-2.0 m (-7 ft)	kg lb	*3770 *8310	2830 6240	2170 4780	1440 3170					*1140 *2510	900 1980	4.23 (13.9)
-3.0 m (-10 ft)	kg lb	*2040 *4500	*2040 *4500									

Boom : 3.0 m (9' 10") / Arm : 1.9 m (6' 3") / Bucket : 0.18 m³ (0.24 yd³) SAE heaped / Dozer blade down

Load point height m (ft)		Load radius								At max. reach		
		2.0 m (7 ft)		3.0 m (10 ft)		4.0 m (13 ft)		5.0 m (16 ft)		Capacity		Reach m (ft)
5.0 m (16 ft)	kg lb									*870 *1920	*870 *1920	4.58 (15.0)
4.0 m (13 ft)	kg lb									*900 *1980	700 1540	5.43 (17.8)
3.0 m (10 ft)	kg lb					*950 *2090	*950 *2090	*990 *2180	780 1720	*930 *2050	590 1300	5.91 (19.4)
2.0 m (7 ft)	kg lb			*1440 *3170	*1440 *3170	*1190 *2620	1110 2450	*1080 *2380	760 1680	*970 *2140	540 1190	6.13 (20.1)
1.0 m (3 ft)	kg lb	*2050 *4520	*2050 *4520	*2160 *4760	1630 3590	*1500 *3310	1050 2310	*1220 *2690	740 1630	*1020 *2250	530 1170	6.14 (20.1)
Ground Line	kg lb	*2280 *5030	*2280 *5030	*2610 *5750	1540 3400	*1730 *3810	1000 2200	*1320 *2910	710 1570	*1060 *2340	550 1210	5.93 (19.5)
-1.0 m (-3 ft)	kg lb	*3230 *7120	2980 6570	*2700 *5950	1510 3330	*1810 *3990	980 2160	*1310 *2890	700 1540	*1100 *2430	620 1370	5.48 (18.0)
-2.0 m (-7 ft)	kg lb	*4140 *9130	3020 6660	*2450 *5400	1520 3350	*1630 *3590	980 2160			*1100 *2430	810 1790	4.67 (15.3)
-3.0 m (-10 ft)	kg lb	*2760 *6080	*2760 *6080	*1640 *3620	1570 3460							

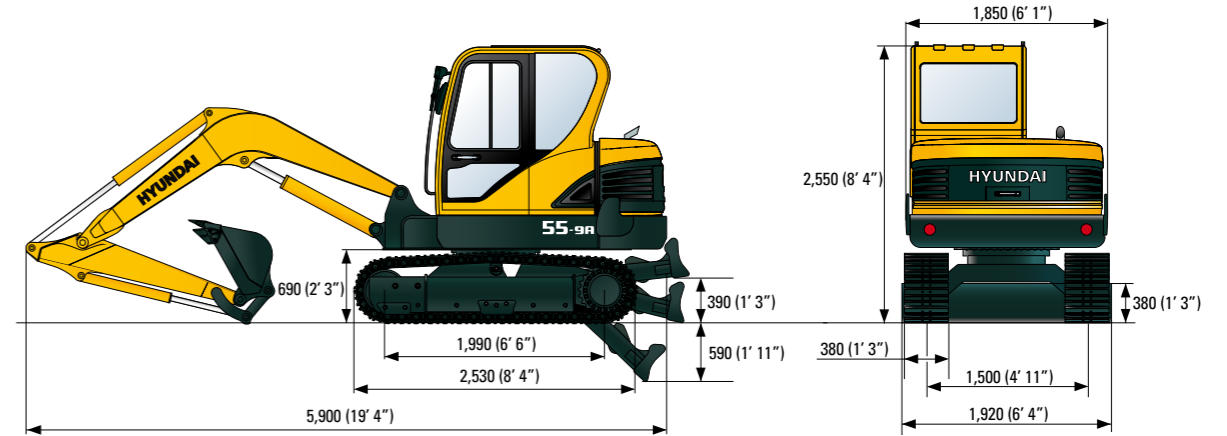
Boom : 3.0 m (9' 10") / Arm : 1.9 m (6' 3") / Bucket : 0.18 m³ (0.24 yd³) SAE heaped / Dozer blade up

Load point height m (ft)		Load radius								At max. reach		
		2.0 m (7 ft)		3.0 m (10 ft)		4.0 m (13 ft)		5.0 m (16 ft)		Capacity		Reach m (ft)
5.0 m (16 ft)	kg lb									*870 *1920	*870 *1920	4.58 (15.0)
4.0 m (13 ft)	kg lb									*900 *1980	660 1460	5.43 (17.8)
3.0 m (10 ft)	kg lb					*950 *2090	*950 *2090	*990 *2180	740 1630	810 1790	550 1210	5.91 (19.4)
2.0 m (7 ft)	kg lb			*1440 *3170	*1440 *3170	*1190 *2620	1040 2290	1040 2290	720 1590	750 1650	500 1100	6.13 (20.1)
1.0 m (3 ft)	kg lb	*2050 *4520	*2050 *4520	*2160 *4760	1530 3370	1440 3170	980 2160	1010 2230	690 1520	740 1630	490 1080	6.14 (20.1)
Ground Line	kg lb	*2280 *5030	*2280 *5030	2170 4780	1440 3170	1390 3060	940 2070	990 2180	670 1480	770 1700	510 1120	5.93 (19.5)
-1.0 m (-3 ft)	kg lb	*3230 *7120	2740 6040	2140 4720	1410 3110	1360 3000	910 2010	980 2160	660 1490	870 1920	580 1280	5.48 (18.0)
-2.0 m (-7 ft)	kg lb	*4140 *9130	2780 6130	2150 4740	1420 3130	1370 3020	920 2030			*1100 *2430	760 1680	4.67 (15.3)
-3.0 m (-10 ft)	kg lb	*2760 *6080	*2760 *6080	*1640 *3620	1470 3240							

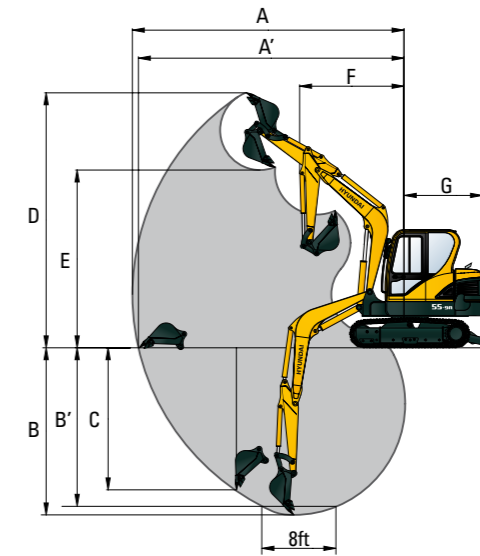
- Lifting capacity is based on SAE J1097, ISO 10567.
- Lifting capacity of the Robex Series does not exceed 75% of the tipping load with the machine on firm, level ground or 87% of full hydraulic capacity.
- The load point is a hook located on the back of the bucket.
- (*) indicates the load limited by hydraulic capacity.

DIMENSIONS R55-9A

mm (ft · in)



WORKING RANGE R55-9A



mm (ft · in)

Boom length	3,000 (9' 10")	
Arm length	1,600 (5' 3")	1,900 (6' 3")
A Max. digging reach	6,150 (20' 2")	6,400 (20' 1")
A' Max. digging reach on ground	6,010 (19' 9")	6,270 (20' 7")
B Max. digging depth	3,820 (12' 6")	4,060 (13' 4")
B' Max. digging depth (8' level)	3,420 (11' 3")	3,700 (12' 2")
C Max. vertical wall digging depth	3,200 (10' 6")	3,460 (11' 4")
D Max. digging height	5,780 (18' 12")	5,920 (19' 5")
E Max. dumping height	4,050 (13' 3")	4,180 (13' 9")
F Min. front swing radius	2,350 (7' 9")	2,360 (7' 9")
G Tail swing radius	1,650 (5' 5")	1,650 (5' 5")

STANDARD EQUIPMENT R55-9A

ISO standard cabin	
Cabin	ROPS (ISO 3471) FOPS (ISO 3449) FOG (ISO 10262 Level I) TOPS (ISO 12117)
All-weather steel cab with all-around visibility	
Safety glass windows	
Rise-up type windshield wiper	
Sliding fold-in front window	
Sliding side window	
Lockable door	
Storage compartment & Ashtray	
Centralized monitoring	
Engine speed	
Gauges	
- Fuel level gauge	
- Engine coolant temperature gauge	
Warning lamps	
- Fuel level	
- Engine oil pressure	
- Engine coolant temperature	
- Hyd. oil temperature	
- Low battery	
- Air cleaner clogging	
Door and locks, one key fits all	
Radio / USB Player with remote control	
Two outside rearview mirrors	
Fully adjustable suspension seat with seat belt	
Console box tilting system (LH.)	
Front working lights	
Electric horn	
Battery (1 x 12V x 100 Ah)	
Battery master switch	
12 volt power supply	
Removable clean-out screen for coolers	
Automatic swing brake	
Water separator, fuel line	
Mono boom (3.0 m; 9' 10")	
Arm (1.6 m; 5' 3")	
Track rail guard	
Starting Aid (air grid heater) for cold weather	
Safety lock valve for boom cylinder with overload warning device	
Safety lock valve for arm cylinder	
Air conditioner & heater	
Fuel filler pump (35 l/min)	
Double acting piping (clamshell, etc)	
Accumulator, work equipment lowering	
Travel alarm	
Rubber crawler (400 mm; 16")	

OPTIONAL EQUIPMENT R55-9A

Beacon lamp
Single acting piping (Breaker, etc)
Quick coupler
Long arm (1.9 m; 6'3")
Tool kit
Steel track shoes (380 mm; 15")
Front working lights cabin
Road liners
Heavy counterweight



SPECIFICATIONS

Robex 60CR-9A

Robex 60CR-9A

ENGINE

MODEL	YANMAR 4TNV98C		
Type	Water cooled, 4 cycle Diesel, 4-Cylinders in line, direct injection and low emission		
Rated flywheel horse power	SAE	J1995 (gross)	64.7 HP (48.3 kW) at 2,200 rpm
		J1349 (net)	63 HP (47.0 kW) at 2,200 rpm
	DIN	6271/1 (gross)	65.6 PS (48.3 kW) at 2,200 rpm
		6271/1 (net)	63.9 PS (47.0 kW) at 2,200 rpm
Max. torque	24 kgf.m (174 lbf.ft) at 1,560 rpm		
Bore x stroke	98 mm (3.86") x 110 mm (4.33")		
Piston displacement	3,319 cc (203 cu in)		
Batteries	1 x 12 V x 100 Ah		
Starting motor	12 V - 3.0 kW		
Alternator	12 V - 60 A		

HYDRAULIC SYSTEM

MAIN PUMP	
Type	Two variable displacement axial piston pumps
Max. flow	2 x 55 l/min (14.5 US gpm / 12.5 UK gpm) pumps
Sub-pump for pilot circuit	Gear pump
Cross-sensing and fuel saving pump system	
HYDRAULIC MOTORS	
Travel	Two speed axial piston motor with counter balance valve and parking brake
Swing	Axial piston motor with automatic brake

RELIEF VALVE SETTING

Implement circuits	220 kgf/cm ² (3,130 psi)
Travel	220 kgf/cm ² (3,130 psi)
Swing circuit	220 kgf/cm ² (3,130 psi)
Pilot circuit	30 kgf/cm ² (430 psi)
Service valve	Installed

HYDRAULIC CYLINDERS

No. of cylinder-bore x stroke	Boom: 1-110 x 715 mm (4.3" x 28.1")
	Arm: 1-85 x 840 mm (3.3" x 33.1")
	Bucket: 1-80 x 660 mm (3.1" x 26.0")
	Boom swing: 1-95 x 519 mm (3.7" x 20.4")
	Dozer blade: 1-110 x 224 mm (4.3" x 8.8")

OPERATOR'S CAB

Noise Levels (dynamic value)	
Outside cabin - LwA	97 dB
Inside cabin - LpA	76 dB

DRIVES & BRAKES

Drive method	Fully hydrostatic type
Drive motor	Axial piston motor, in-shoe design
Reduction system	Planetary reduction gear
Max. drawbar pull	5,300 kgf (11,700 lbf)
Max. travel speed (high) / (low)	4.0 km/hr (2.5 mph) / 2.2 km/hr (1.4 mph)
Gradeability	35° (70 %)
Parking brake	Multi wet disc

CONTROL

Pilot pressure operated joysticks and pedals with detachable lever provide almost effortless and fatigueless operation.

Pilot control	Two joysticks with one safety lever (LH): Swing and arm (RH): Boom and bucket (ISO)
Traveling and steering	Two levers with pedals
Engine throttle	Electric, Dial type

SWING SYSTEM

Swing motor	Fixed displacement axial pistons motor
Swing reduction	Planetary gear reduction
Swing bearing lubrication	Grease-bathed
Swing brake	Multi wet disc
Swing speed	8.8 rpm

COOLANT & LUBRICANT CAPACITY

Refilling	liter	US gal	UK gal
Fuel tank	82.0	21.7	27.5
Engine coolant	11.0	2.9	2.4
Engine oil	11.6	3.1	2.6
Final drive (each)	1.2	0.3	0.3
Hydraulic system	110.0	29.1	24.2
Hydraulic tank	60.0	15.9	13.2

UNDERCARRIAGE

The X-leg type center frame is integrally welded with reinforced box-section track frames. The undercarriage includes lubricated rollers, idlers, track adjusters with shock absorbing springs and sprockets, and a track chain with double or triple grouser shoes.

Center frame	X - leg type
Track frame	Pentagonal box type
No. of shoes on each side	40
No. of upper roller on each side	1
No. of lower roller on each side	5

OPERATING WEIGHT (APPROXIMATE)

Operating weight, including 2,900 mm (9' 6") boom, 1,480 mm (4' 10") arm, SAE heaped 0.18 m³ (0.24 yd³) bucket, lubricant, coolant, full fuel tank, full hydraulic tank and all standard equipments.

MAJOR COMPONENT WEIGHT

Upperstructure	2,900 kg (6,390 lb)
Mono boom (with arm cylinder)	310 kg (680 lb)

OPERATING WEIGHT

Operating weight	Steel track (380 mm)	5,900 kg (13,010 lb)
	Rubber track	5,800 kg (12,790 lb)
	Steel track (450 mm)	5,960 kg (13,140 lb)
Ground pressure	Steel track (380 mm)	0.36 kgf / cm ² (5.12 psi)
	Rubber track	0.34 kgf / cm ² (4.83 psi)
	Steel track (450 mm)	0.31 kgf / cm ² (4.41 psi)

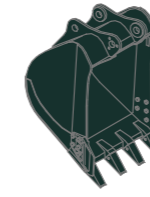
BUCKETS R60CR-9A

Capacity m ³ (yd ³)	Width mm (in)		Weight kg (lb)	
	SAE heaped	CECE heaped		Without side cutters
0.07 (0.09)	0.06 (0.08)	315 (12.4")	360 (14.2")	115 (255)
0.18 (0.24)	0.15 (0.20)	670 (26.4")	740 (29.1")	170 (375)



SAE heaped

0.07 m³ (0.09 yd³)



0.18 m³ (0.24 yd³)

DIGGING FORCE R60CR-9A

Arm	1.48 m	1.9 m
Bucket digging force	4,170 kgf	4,170 kgf
	40.9 kN	40.9 kN
	9,190 lbf	9,190 lbf
Arm crowd force	2,700 kgf	2,280 kgf
	26.5 kN	22.4 kN
	5,950 lbf	5,030 lbf

Lifting Capacities

R60CR-9A

Rating over-front Rating over-side or 360 degrees

Boom : 2.9 m (9' 6") / Arm : 1.48 m (4' 10") / Bucket : 0.18 m³ (0.24 yd³) SAE heaped / Dozer blade down

Load point height m (ft)	Load radius								At max. reach			
	2.0 m (7 ft)		3.0 m (10 ft)		4.0 m (13 ft)		5.0 m (16 ft)		Capacity			
4.0 m (13 ft)	kg				*1120	*1120			*1050	790	4.99	
	lb				*2470	*2470			*2310	1740	(16.4)	
3.0 m (10 ft)	kg				*1180	1130			*1080	640	5.56	
	lb				*2600	2490			*2380	1410	(18.2)	
2.0 m (7 ft)	kg		*1890	1710	*1430	1080	*1250	740	*1120	580	5.82	
	lb		*4170	3770	*3150	2380	*2760	1630	*2470	1280	(19.1)	
1.0 m (3 ft)	kg		*2670	1580	*1740	1020	*1360	720	*1160	560	5.84	
	lb		*5890	3480	*3840	2250	*3000	1590	*2560	1230	(19.2)	
Ground Line	kg	*1980	*1980	*3000	1520	*1930	980	*1430	700	*1190	590	5.61
	lb	*4370	*4370	*6610	3350	*4250	2160	*3150	1540	*2620	1300	(18.4)
-1.0 m (-3 ft)	kg	*3230	3030	*2890	1500	*1910	970			*1210	690	5.09
	lb	*7120	6680	*6370	3310	*4210	2140			*2670	1520	(16.7)
-2.0 m (-7 ft)	kg	*3960	3080	*2370	1530					*1110	990	4.12
	lb	*8730	6790	*5220	3370					*2450	2180	(13.5)

- Lifting capacity is based on SAE J1097, ISO 10567.
- Lifting capacity of the Robex Series does not exceed 75% of the tipping load with the machine on firm, level ground or 87% of full hydraulic capacity.
- The load point is a hook located on the back of the bucket.
- (*) indicates the load limited by hydraulic capacity.

R60CR-9A

Rating over-front Rating over-side or 360 degrees

Boom : 2.9 m (9' 6") / Arm : 1.48 m (4' 10") / Bucket : 0.18 m³ (0.24 yd³) SAE heaped / Dozer blade up

Load point height m (ft)	Load radius								At max. reach			
	2.0 m (7 ft)		3.0 m (10 ft)		4.0 m (13 ft)		5.0 m (16 ft)		Capacity		Reach m (ft)	
4.0 m (13 ft)	kg lb					*1120 *2470	1070 2360			1040 2290	740 1630	4.99 (16.4)
3.0 m (10 ft)	kg lb					*1180 *2600	1060 2340			860 1900	600 1320	5.56 (18.2)
2.0 m (7 ft)	kg lb		*1890 *4170	1600 3530	1430 3150	1010 2230	990 2180	690 1520	780 1720	540 1190	5.82 (19.1)	
1.0 m (3 ft)	kg lb		2150 4740	1470 3240	1370 3020	960 2120	970 2140	670 1480	770 1700	520 1150	5.84 (19.2)	
Ground Line	kg lb	*1980 *4370	*1980 *4370	2080 4590	1410 3110	1330 2930	920 2030	650 2090	810 1790	550 1210	5.61 (18.4)	
-1.0 m (-3 ft)	kg lb	*3230 *7120	2770 6110	2070 4560	1400 3090	1320 2910	900 1980		940 2070	650 1430	5.09 (16.7)	
-2.0 m (-7 ft)	kg lb	*3960 *8730	2820 6220	2090 4610	1420 3130				*1110 *2450	920 2030	4.12 (13.5)	

Boom : 2.9 m (9' 6") / Arm : 1.48 m (4' 10") / Bucket : 0.18 m³ (0.24 yd³) SAE heaped / Dozer blade down

Load point height m (ft)	Load radius								At max. reach			
	2.0 m (7 ft)		3.0 m (10 ft)		4.0 m (13 ft)		5.0 m (16 ft)		Capacity		Reach m (ft)	
4.0 m (13 ft)	kg lb								*900 *1980	670 1480	5.45 (17.9)	
3.0 m (10 ft)	kg lb					*950 *2090	*950 *2090	*950 *2090	750 1650	*940 *2070	550 1210	5.96 (19.6)
2.0 m (7 ft)	kg lb		*1470 *3240	*1470 *3240	*1220 *2690	1070 2360	*1100 *2430	730 1610	*980 *2160	500 1100	6.19 (20.3)	
1.0 m (3 ft)	kg lb		*2330 *5140	1580 3480	*1560 *3440	1010 2230	*1250 *2760	700 1540	*1020 *2250	490 1080	6.21 (20.4)	
Ground Line	kg lb	*2000 *4410	*2000 *4410	*2850 *6280	1480 3260	*1820 *4010	950 2090	*1360 *3000	670 1480	*1070 *2360	510 1120	6.00 (19.7)
-1.0 m (-3 ft)	kg lb	*2840 *6260	*2840 *6260	*2920 *6440	1450 3200	*1900 *4190	930 2050	*1360 *3000	660 1460	*1110 *2450	580 1280	5.54 (18.2)
-2.0 m (-7 ft)	kg lb	*3980 *8770	2950 6500	*2590 *5710	1460 3220	*1690 *3730	930 2050		*1100 *2430	760 1680	4.70 (15.4)	

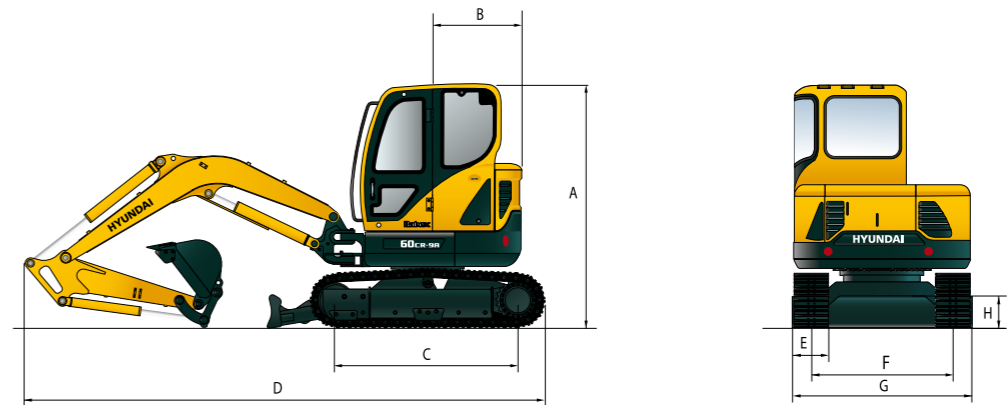
Boom : 2.9 m (9' 6") / Arm : 1.48 m (4' 10") / Bucket : 0.18 m³ (0.24 yd³) SAE heaped / Dozer blade up

Load point height m (ft)	Load radius								At max. reach		
	2.0 m (7 ft)		3.0 m (10 ft)		4.0 m (13 ft)		5.0 m (16 ft)		Capacity		Reach m (ft)
4.0 m (13 ft)	kg lb								890 1960	620 1370	5.45 (17.9)
3.0 m (10 ft)	kg lb					*950 *2090	*950 *2090	*950 *2090	700 1540	750 1650	5.10 (19.6)
2.0 m (7 ft)	kg lb		*1470 *3240	*1470 *3240	*1220 *2690	1000 2200	980 2160	680 1500	690 1520	460 1010	6.19 (20.3)
1.0 m (3 ft)	kg lb		2150 4740	1470 3240	1360 3000	940 2070	950 2090	650 1430	670 1480	450 990	6.21 (20.4)
Ground Line	kg lb	*2000 *4410	*2000 *4410	2040 4500	1370 3020	1300 2870	880 1940	920 2030	700 1540	470 1040	6.00 (19.7)
-1.0 m (-3 ft)	kg lb	*2840 *6260	2660 5860	2010 4430	1340 2950	1270 2800	860 1900	910 2010	610 1340	790 1740	5.30 (18.2)
-2.0 m (-7 ft)	kg lb	*3980 *8770	2700 5950	2020 4450	1350 2980	1280 2820	860 1900		1040 2290	710 1570	4.70 (15.4)

- Lifting capacity is based on SAE J1097, ISO 10567.
- Lifting capacity of the Robex Series does not exceed 75% of the tipping load with the machine on firm, level ground or 87% of full hydraulic capacity.
- The load point is a hook located on the back of the bucket.
- (*) indicates the load limited by hydraulic capacity.

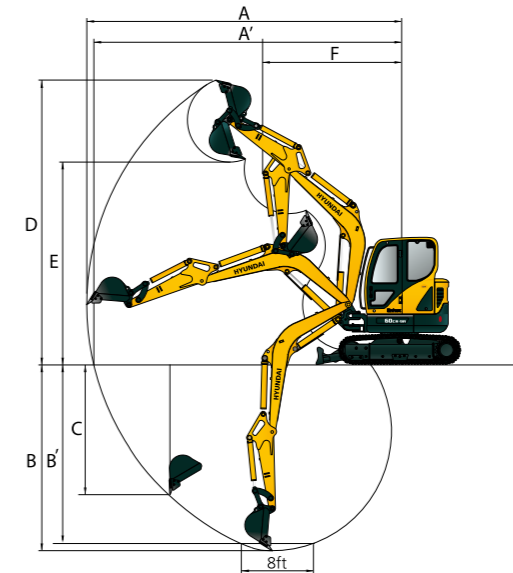
DIMENSIONS R60CR-9A

mm (ft · in)



A Overall height of cab	2,550 (8' 4")	E Track shoe width	Steel track	380 (1' 3")
B Tail swing radius	1,080 (3' 7")		Rubber track	400 (1' 4")
C Tumbler distance	1,990 (6' 6")	F Track gauge		1,600 (5' 3")
D Overall length	5,600 (18' 4")	G Overall width		2,000 (6' 7")
		H Ground clearance		380 (1' 3")

WORKING RANGE R60CR-9A



mm (ft · in)

Boom length	2,900 (9' 6")	
Arm length	1,480 (4' 10")	1,900 (6' 3")
A Max. digging reach	6,150 (20' 2")	6,480 (21' 3")
A' Max. digging reach on ground	6,010 (19' 9")	6,350 (20' 10")
B Max. digging depth	3,570 (11' 9")	3,990 (13' 1")
B' Max. digging depth (8' level)	3,160 (10' 5")	3,620 (11' 11")
C Max. vertical wall digging depth	3,040 (9' 12")	3,360 (11' 0")
D Max. digging height	5,680 (18' 8")	5,850 (19' 2")
E Max. dumping height	3,930 (12' 11")	4,100 (13' 5")
F Min. front swing radius	2,420 (7' 11")	2,510 (8' 3")

STANDARD EQUIPMENT R60CR-9A

ISO standard cabin	
Cabin	ROPS (ISO 3471) FOPS (ISO 3449) FOG (ISO 10262 Level I) TOPS (ISO 12117)
All-weather steel cab with all-around visibility	
Safety glass windows	
Rise-up type windshield wiper	
Sliding fold-in front window	
Sliding side window	
Lockable door	
Storage compartment & Ashtray	
Centralized monitoring	
Engine speed	
Gauges	
- Fuel level gauge	
- Engine coolant temperature gauge	
Warning lamps	
- Fuel level	
- Engine oil pressure	
- Engine coolant temperature	
- Hyd. oil temperature	
- Low battery	
- Air cleaner clogging	
Fuel pre-filter	
Air conditioner & heater	
Door and locks, one key fits all	
Radio / USB Player with remote control	
Outside rearview mirrors	
Fully adjustable suspension seat with seat belt	
Console box tilting system (LH.)	
Two front working lights	
Electric horn	
Battery (1 x 12 V x 100 Ah)	
Battery master switch	
12 volt power supply	
Automatic swing brake	
Removable reservoir tank	
Water separator, fuel line	
Mono boom (2.9 m; 9' 6")	
Arm (1.48 m; 4' 10")	
Track rail guard	
Starting Aid (air grid heater) for cold weather	
Dozer blade	
Road liner	
Safety lock valve for boom cylinder with overload warning device	
Safety lock valve for arm cylinder	
Double acting piping (clamshell, etc)	
Rubber track (400 mm; 1' 4")	

OPTIONAL EQUIPMENT R60CR-9A

Fuel filler pump (35ℓ/min, 9.2 US gpm)
Beacon lamp
Single acting piping (Breaker, etc)
Accumulator, work equipment lowering
Electric transducer
Travel alarm
Long arm (1.9 m; 6'3")
Tool kit
Cabin rear work lamp
Lever pattern change valve
Additional counterweight (200 kg; 440 lb)
Steel track with rubber pads (380 mm)
Quick coupler piping



SPECIFICATIONS

Robex **80CR-9A**

Robex **80CR-9A**

ENGINE

MODEL		YANMAR 4TNV98C	
Type		Water cooled, 4 cycle Diesel, 4-Cylinders in line, direct injection and low emission	
Rated flywheel horse power	SAE	J1995 (gross)	66.9 HP (49.9 kW) at 2,400 rpm
		J1349 (net)	65.1 HP (48.5 kW) at 2,400 rpm
	DIN	6271/1 (gross)	67.8 PS (49.9 kW) at 2,400 rpm
		6271/1 (net)	66 PS (48.5 kW) at 2,400 rpm
Max. torque		24.0 kgf.m (173.6 lbf.ft) at 1,560 rpm	
Bore x stroke		98 mm (3.86") x 110 mm (4.33")	
Piston displacement		3,319 cc (202 cu in)	
Batteries		2 x 12 V x 100 Ah	
Starting motor		12 V - 3.0 kW	
Alternator		12 V - 60 A	

HYDRAULIC SYSTEM

MAIN PUMP	
Type	Variable displacement piston pumps
Max. flow	2 x 68.4 ℓ/min (18.1 US gpm / 15.0 UK gpm) pumps
Sub-pump for pilot circuit	Gear pump
Cross-sensing and fuel saving pump system	

HYDRAULIC MOTORS	
Travel	Two speed axial piston motor with counter balance valve and parking brake
Swing	Axial piston motor with automatic brake

RELIEF VALVE SETTING	
Implement circuits	P1 / P2 : 280 kgf/cm ² (3,980 psi) P3 : 230 kgf/cm ² (3,270 psi)
Travel circuit	300 kgf/cm ² (4,267 psi)
Swing circuit	250 kgf/cm ² (3,560 psi)
Pilot circuit	35 kgf/cm ² (500 psi)
Service valve	Installed

HYDRAULIC CYLINDERS	
No. of cylinder-bore x stroke	Boom: 1-115 x 850 mm (4.5" x 33.5")
	Arm: 1-100 x 870 mm (3.9" x 34.3")
	Bucket: 1-85 x 685 mm (3.3" x 27.0")
	Boom swing: 1-110 x 744 mm (4.3" x 29.3")
	Dozer blade: 1-130 x 152 mm (5.1" x 6.0")

OPERATOR'S CAB

Noise Levels (dynamic value)	
Outside cabin - LwA	99 dB
Inside cabin - LpA	76 dB

DRIVES & BRAKES

Drive method	Fully hydrostatic type
Drive motor	Axial piston motor, in-shoe design
Reduction system	Planetary reduction gear
Max. drawbar pull	7,400 kgf (16,310 lbf)
Max. travel speed (high) / (low)	4.6 km/hr (2.9 mph) / 2.8 km/hr (1.7 mph)
Gradeability	35° (70 %)
Parking brake	Multi wet disc

CONTROLS

Pilot pressure operated joysticks and pedals with detachable lever provide almost effortless and fatigueless operation.

Pilot control	Two joysticks with one safety lever (LH): Swing and arm (RH): Boom and bucket (ISO)
Traveling and steering	Two levers with pedals
Engine throttle	Electric, Dial type

SWING SYSTEM

Swing motor	Axial piston motor
Swing reduction	Planetary gear reduction
Swing bearing lubrication	Grease-bathed
Swing brake	Multi wet disc
Swing speed	9.1 rpm

COOLANT & LUBRICANT CAPACITY

Refilling	liter	US gal	UK gal
Fuel tank	120.0	31.7	26.4
Engine coolant	11.0	2.9	2.4
Engine oil	11.6	3.1	2.6
Final drive (each)	1.2	0.3	0.3
Hydraulic system	120.0	31.7	26.4
Hydraulic tank	71.0	18.8	15.6

UNDERCARRIAGE

The X-leg type center frame is integrally welded with reinforced box-section track frames. The undercarriage includes lubricated rollers, idlers, track adjusters with shock absorbing springs and sprockets, and a track chain with double or triple grouser shoes.

Center frame	X - leg type
Track frame	Pentagonal box type
No. of shoes on each side	39
No. of upper roller on each side	1
No. of lower roller on each side	5

OPERATING WEIGHT (APPROXIMATE)

Operating weight, including 3,400 mm (12'2") boom, 1,670 mm (5'6") arm, SAE heaped 0.28 m³ (0.37 yd³) bucket, lubricant, coolant, full fuel tank, full hydraulic tank and all standard equipments.

MAJOR COMPONENT WEIGHT	
Upperstructure	4,090 kg (9,020 lb)
Mono boom (with arm cylinder)	550 kg (1,210 lb)

OPERATING WEIGHT		
Operating weight	Steel track (450 mm)	8,350 kg (18,410 lb)
	Steel track (600 mm)	8,510 kg (18,760 lb)
	Rubber track (450 mm)	8,250 kg (18,190 lb)

· Mono boom with blade		
Ground pressure	Steel track (450 mm)	0.39 kgf.m / cm ² (5.55 psi)
	Steel track (1,600 mm)	0.29 kgf.m / cm ² (4.12 psi)
	Rubber track (450mm)	0.38 kgf.m / cm ² (5.40 psi)

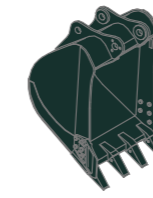
BUCKETS R80CR-9A

		Capacity m ³ (yd ³)		Width mm (in)		Weight kg (lb)
		SAE heaped	CECE heaped	Without side cutters	With side cutters	
		0.14 (0.18)	0.13 (0.17)	390 (15.4")	470 (18.5")	185 (410)
		0.28 (0.37)	0.25 (0.33)	730 (28.7")	810 (31.9")	230 (510)



SAE heaped

0.14 m³ (0.18 yd³)



0.28 m³ (0.37 yd³)

DIGGING FORCE (ISO) R80CR-9A

Arm	1.67 m	2.2 m
Bucket digging force	5,700 kgf	5,700 kgf
	55.9 kN	55.9 kN
	12,570 lbf	12,570 lbf
Arm crowd force	4,300 kgf	3,540 kgf
	42.2 kN	34.7 kN
	9,480 lbf	7,800 lbf

Lifting Capacities

R80CR-9A

Rating over-front Rating over-side or 360 degrees

Boom : 3.4 m (12'2") / Arm : 1.67 m (5'6") / Bucket : 0.28 m³ (0.37 yd³) SAE heaped / Dozer blade down

Load point height m (ft)		Load radius				At max. reach				
		1.5 m (5 ft)		3.0 m (10 ft)		4.5 m (15 ft)		Capacity		Reach m (ft)
4.5 m (15 ft)	kg					*1550	1480	*1470	1040	5.74
	lb					*3420	3260	*3240	2290	(17.9)
3.0 m (10 ft)	kg					*1740	1430	*1530	780	6.23
	lb					*3840	3150	*3370	1720	(20.4)
1.5 m (5 ft)	kg			*4050	2510	*2260	1320	*1620	700	6.45
	lb			*8930	5530	*4980	2910	*3570	1540	(21.2)
Ground Line	kg			*4830	2320	*2650	1230	*1710	740	6.20
	lb			*10650	5110	*5840	2710	*3770	1630	(20.3)
-1.5 m (-5 ft)	kg	*4730	*4730	*4410	2320	*2550	1210	*1760	940	5.38
	lb	*10430	*10430	*9720	5110	*5620	2670	*3880	2070	(17.7)
-3.0 m (-10 ft)	kg			*2810	2430					
	lb			*6190	5360					

- Lifting capacity is based on SAE J1097, ISO 10567.
- Lifting capacity of the Robex Series does not exceed 75% of the tipping load with the machine on firm, level ground or 87% of full hydraulic capacity.
- The load point is a hook located on the back of the bucket.
- (*) indicates the load limited by hydraulic capacity.

R80CR-9A

Rating over-front Rating over-side or 360 degrees

Boom : 3.4 m (12' 2") / Arm : 1.67 m (5' 6") / Bucket : 0.28 m³ (0.37 yd³) SAE heaped / Dozer blade up

Load point height m (ft)	Load radius						At max. reach			
	1.5 m (5 ft)		3.0 m (10 ft)		4.5 m (15 ft)		Capacity		Reach m (ft)	
4.5 m (15 ft)	kg					*1550	1380	1110	970	5.74 (17.9)
	lb					*3420	3040	2450	2140	
3.0 m (10 ft)	kg					1540	1340	840	730	6.23 (20.4)
	lb					3400	2950	1850	1610	
1.5 m (5 ft)	kg		2770	2320	1430	1230	760	650	570	6.45 (21.2)
	lb		6110	5110	3150	2710	1680	1430	1260	
Ground Line	kg		2570	2140	1330	1140	790	680	590	6.20 (20.3)
	lb		5670	4720	2930	2510	1740	1500	1300	
-1.5 m (-5 ft)	kg	*4730	*4730	2570	2140	1310	1120	1010	870	5.38 (17.7)
	lb	*10430	*10430	5670	4720	2890	2470	2230	1920	
-3.0 m (-10 ft)	kg			2690	2250					
	lb			5930	4960					

Boom : 3.4 m (12' 2") / Arm : 2.20 m (7' 3") / Bucket : 0.28 m³ (0.37 yd³) SAE heaped / Dozer blade down

Load point height m (ft)	Load radius						At max. reach					
	1.5 m (5 ft)		3.0 m (10 ft)		4.5 m (15 ft)		6.0 m (20 ft)		Capacity		Reach m (ft)	
4.5 m (15 ft)	kg					*1180	*1180			*1280	810	6.17 (20.2)
	lb					*2600	*2600			*2820	1790	
3.0 m (10 ft)	kg					*1410	*1410	*1400	820	*1320	630	6.84 (22.4)
	lb					*3110	*3110	*3090	1810	*2910	1390	
1.5 m (5 ft)	kg			*3280	2580	*1970	1310	*1570	780	*1390	570	7.03 (23.1)
	lb			*7230	5690	*4340	2890	*3460	1720	*3060	1260	
Ground Line	kg	*1900	*1900	*4600	2270	*2470	1190	*1730	730	*1460	590	6.80 (22.3)
	lb	*4190	*4190	*10140	5000	*5450	2620	*3810	1610	*3220	1300	
-1.5 m (-5 ft)	kg	*3590	*3590	*4590	2220	*2580	1140			*1500	720	6.09 (20.0)
	lb	*7910	*7910	*10120	4890	*5690	2510			*3310	1590	
-3.0 m (-10 ft)	kg	*5800	*5800	*3530	2290	*1890	1190			*1360	1220	4.58 (15.0)
	lb	*12790	*12790	*7780	5050	*4170	2620			*3000	2690	

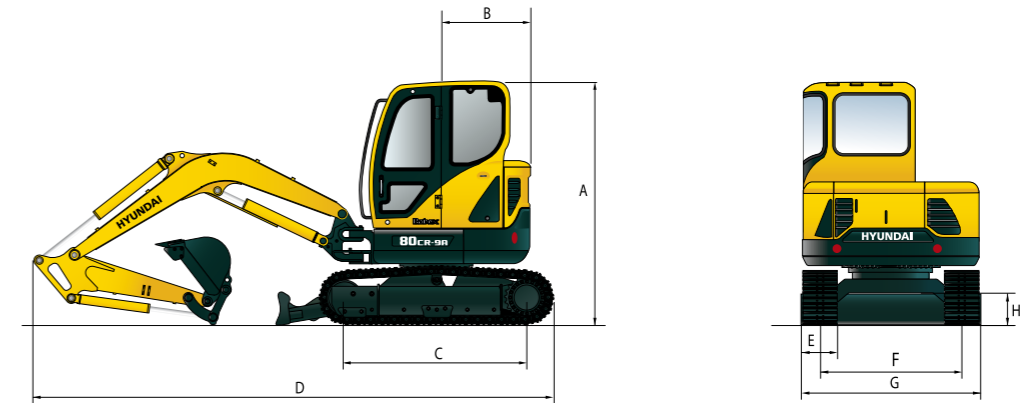
Boom : 3.4 m (12' 2") / Arm : 2.20 m (7' 3") / Bucket : 0.28 m³ (0.37 yd³) SAE heaped / Dozer blade up

Load point height m (ft)	Load radius						At max. reach					
	1.5 m (5 ft)		3.0 m (10 ft)		4.5 m (15 ft)		6.0 m (20 ft)		Capacity		Reach m (ft)	
4.5 m (15 ft)	kg					*1180	*1180			870	750	6.17 (20.2)
	lb					*2600	*2600			1920	1650	
3.0 m (10 ft)	kg					*1410	1350	880	760	680	580	6.84 (22.4)
	lb					*3110	2980	1940	1680	1500	1280	
1.5 m (5 ft)	kg			2850	2390	1420	1220	840	720	610	520	7.03 (23.1)
	lb			6280	5270	3130	2690	1850	1590	1340	1150	
Ground Line	kg	*1900	*1900	2520	2090	1290	1100	790	670	640	540	6.80 (22.3)
	lb	*4190	*4190	5560	4610	2840	2430	1740	1480	1410	1190	
-1.5 m (-5 ft)	kg	*3590	*3590	2460	2040	1240	1050			780	660	6.09 (20.0)
	lb	*7910	*7910	5420	4500	2730	2310			1720	1460	
-3.0 m (-10 ft)	kg	*5800	*5800	2540	2110	1290	1100			1320	1130	4.58 (15.0)
	lb	*12790	*12790	5600	4650	2840	2430			2910	2490	

- Lifting capacity is based on SAE J1097, ISO 10567.
- Lifting capacity of the Robex Series does not exceed 75% of the tipping load with the machine on firm, level ground or 87% of full hydraulic capacity.
- The load point is a hook located on the back of the bucket.
- (*) indicates the load limited by hydraulic capacity.

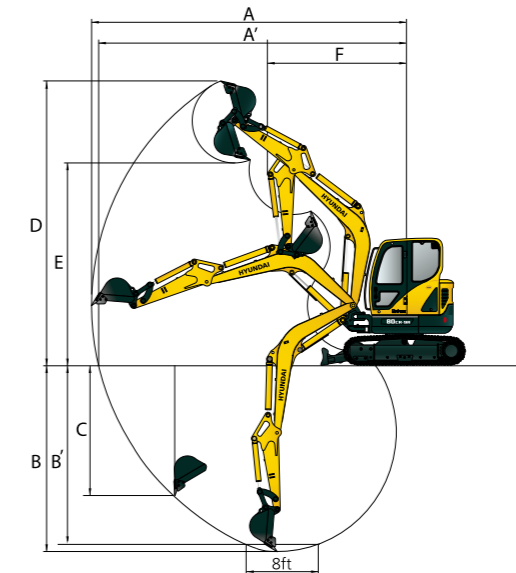
DIMENSIONS R80CR-9A

mm (ft · in)



A Overall height of cab	2,640 (8' 7")	E Track shoe width	Steel track	450 (1' 6")
B Tail swing radius	1,280 (4' 2")		Rubber track	450 (1' 6")
C Tumbler distance	2,200 (7' 3")	F Track gauge		1,850 (6' 1")
D Overall length	6,170 (20' 2")	G Overall width		2,300 (7' 7")
		H Ground clearance		360 (1' 2")

WORKING RANGE R80CR-9A



mm (ft · in)

Boom length	3,400 (11' 2")	
Arm length	1,670 (5' 6")	2,200 (7' 3")
A Max. digging reach	6,960 (22' 10")	7,390 (24' 3")
A' Max. digging reach on ground	6,820 (22' 5")	7,250 (23' 9")
B Max. digging depth	4,180 (13' 7")	4,620 (15' 2")
B' Max. digging depth (8' level)	3,780 (12' 5")	4,330 (14' 2")
C Max. vertical wall digging depth	3,570 (11' 9")	4,040 (13' 3")
D Max. digging height	6,750 (22' 1")	7,040 (23' 1")
E Max. dumping height	4,730 (15' 6")	5,050 (16' 7")
F Min. front swing radius	2,500 (8' 2")	2,610 (8' 7")

STANDARD EQUIPMENT R80CR-9A

ISO standard cabin	
Cabin	ROPS (ISO 12117-2) FOPS (ISO 3449) FOG (ISO 10262 Level)
All-weather steel cab with all-around visibility	
Safety glass windows	
Rise-up type windshield wiper	
Sliding fold-in front window	
Sliding side window	
Lockable door	
Storage compartment & Ashtray	
Centralized monitoring	
Engine speed	
Gauges	
- Fuel level gauge	
- Engine coolant temperature gauge	
Warning lamps	
- Fuel level	
- Engine oil pressure	
- Engine coolant temperature	
- Hyd. oil temperature	
- Low battery	
- Air cleaner clogging	
Fuel pre-filter	
Air conditioner & heater	
Double acting piping (clamshell, etc) with proportional RCV Lever	
Door and locks, one key fits all	
Radio / USB Player with remote control	
Outside rearview mirrors	
Fully adjustable suspension seat with seat belt	
Console box tilting system (LH.)	
Three front working lights	
Electric horn	
Battery (1 x 12 V x 100 Ah)	
Battery master switch	
12 volt power supply	
Automatic swing brake	
Removable reservoir tank	
Water separator, fuel line	
Mono boom (3.4 m; 11' 2")	
Arm (1.67 m; 5' 6")	
Track shoes (450 mm; 1' 6")	
Track rail guard	
Starting Aid (air grid heater) for cold weather	

OPTIONAL EQUIPMENT R80CR-9A

Fuel filler pump (35ℓ/min, 9.2 US gpm)
Beacon lamp
Single acting piping kit
Safety lock valve for arm cylinder
Track pad (450 mm; 1' 6")
Accumulator, work equipment lowering
Electric transducer
Travel alarm
Quick coupler
Rubber track (450 mm; 1' 6")
Rubber PAD (450 mm; 1' 6")
Track shoes (600 mm; 1' 12")
Long arm (2.2 m; 7' 3")
Tool kit
Cabin rear work lamp
Lever pattern change valve (2 pattern)
Additional counterweight (400 kg; 880 lb)



Company Organization

Hyundai Heavy Industries (HHI) had its groundbreaking ceremony in March 1972. HHI spreads across 2,300 acres that cover 1,500 acres of its production facilities and 800 acres of amenities (apartment complexes, schools, and recreational centers). Since the successful construction of its first two 260,000 DWT supertankers in 1974, HHI has built and delivered almost every kind of ship to customers the world over. Backed by technology and experience acquired through shipbuilding as well as streamlined modern facilities and a highly skilled work force, HHI has diversified its business activities from shipbuilding into other heavy industrial fields. On this vast compound, HHI operates various business lines: Shipbuilding, Engine & Machinery, Offshore & Engineering, Industrial Plant & Engineering, Electro Electric Systems, Construction Equipment and Green Energy, ISO 9001 & ISO 14001 certified.



Shipbuilding Division



Construction Equipment Division



Offshore & Engineering Division



Engine & Machinery Division



Electro Electric Systems Division



Industrial Plant & Engineering Division



Green Energy Division



* Standard and optional equipment may vary. Contact your Hyundai dealer for more information. The machine may vary according to International standards.
 * The photos may include attachments and optional equipment that are not available in your area.
 * Materials and specifications are subject to change without advance notice.
 * All imperial measurements rounded off to the nearest pound or inch.
 * The air conditioning system on this machine contains the fluorinated greenhouse gas refrigerant HFC-134a (Global Warming Potential = 1430). The system contains 0.95 kg of refrigerant which has a CO₂ equivalent of 1.3585 metric tonne.

HYUNDAI CONSTRUCTION EQUIPMENT

PLEASE CONTACT

Hyundai Construction Equipment Europe nv

Hyundailaan 4, 3980 Tessenderlo, Belgium **Tel:** (32) 14-56-2200 **Fax:** (32) 14-59-3405 www.hyundai.eu

EN - 2019.06 Rev 1