

FALCON LIFTS A/S

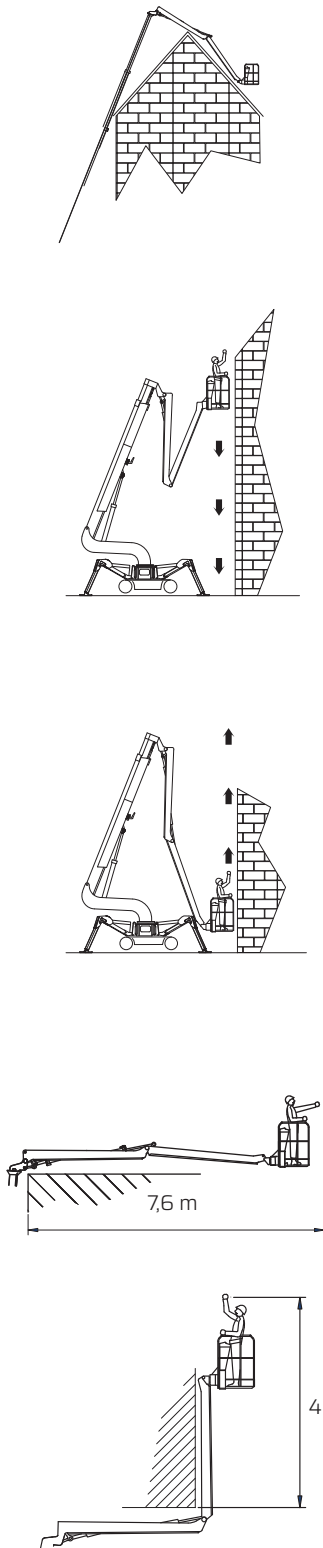
Tolderlundsvej 106
DK-5000 Odense C
Tel: +45 66 13 11 00

falconlifts.com

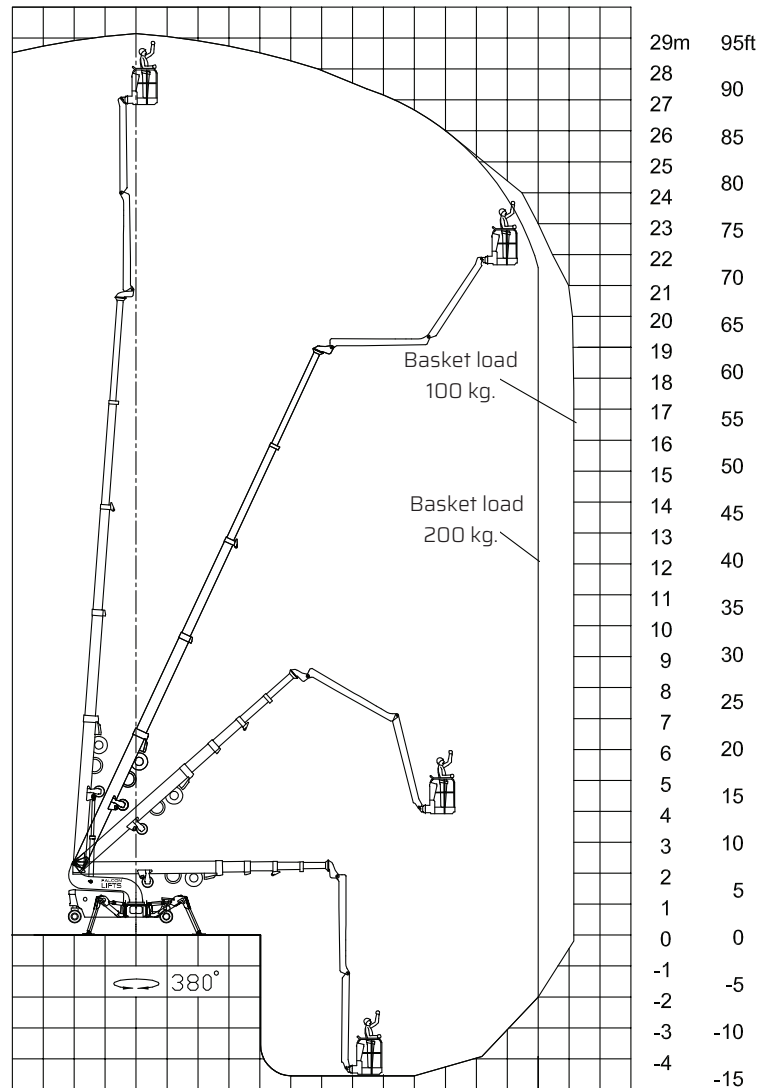


FALCON 290 *Wheel*

Reach diagram - Optimized position



15 10 5 0 5 10 15 20 25 30 35 40 45 50 ft.
4 3 2 1 0 1 2 3 4 5 6 7 8 9 10 11 12 13 14 15 m

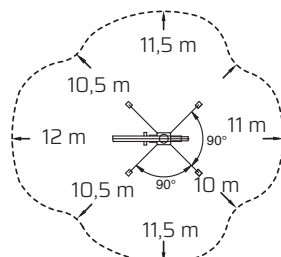


Reach with outriggers in different positions

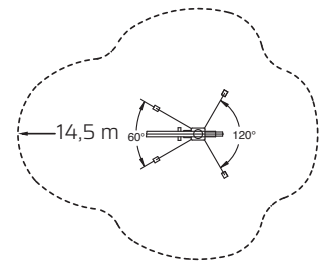
Standard

Measurements in meters

Optimized



Basket load = 200 kg

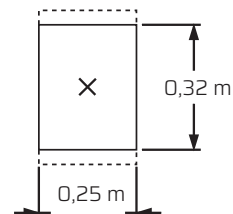
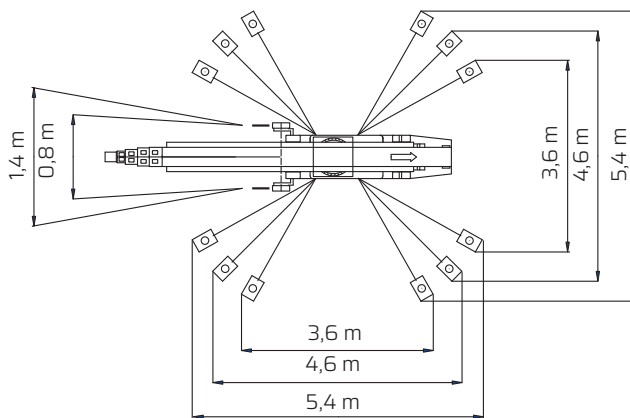
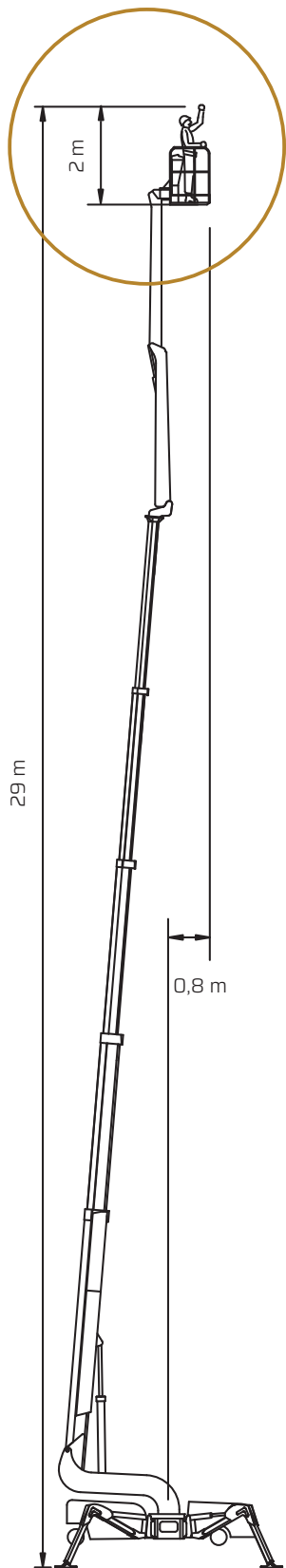


Basket load = 100 kg

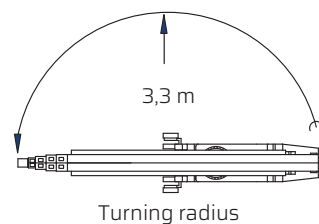
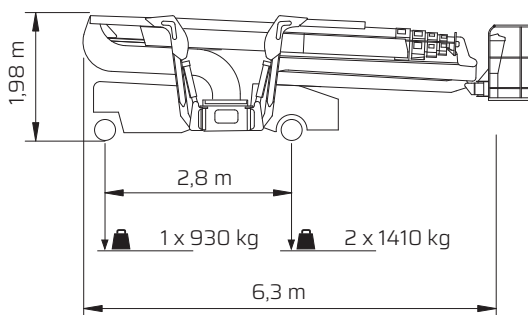
All measurements are intended as guide. Choise of equipment may change the mentioned measurements

FALCON 290 *Wheel*

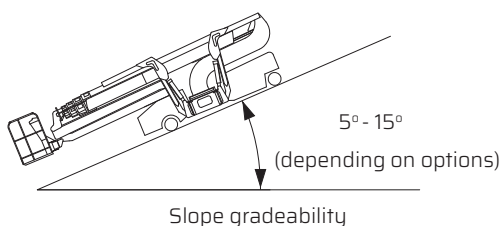
Outer measurements



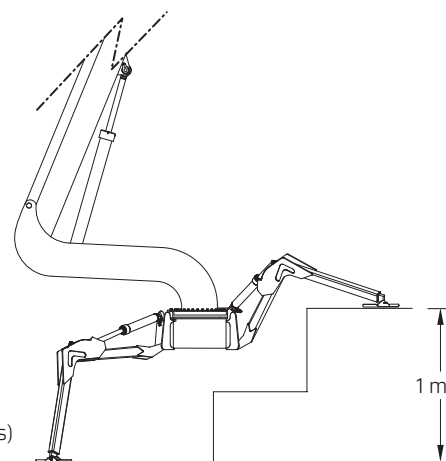
Outrigger plate area
= 800 cm²



Turning radius



Slope gradeability



Additional info:

Weight and ground pressure:

Weight with standard equipment	3750	kg.
Max. ground pressure under 1 wheel	8,2	kg/cm ²
Max. ground pressure under 1 outrigger plate	2,4	kg/cm ²
Front wheel area (depending on wheel type)	1 x ~140	cm ²
Rear wheel area (depending on wheel type)	2 x ~172	cm ²